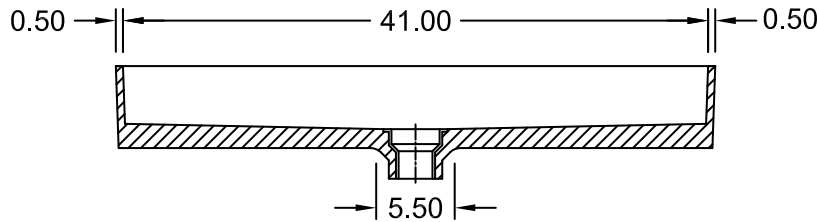
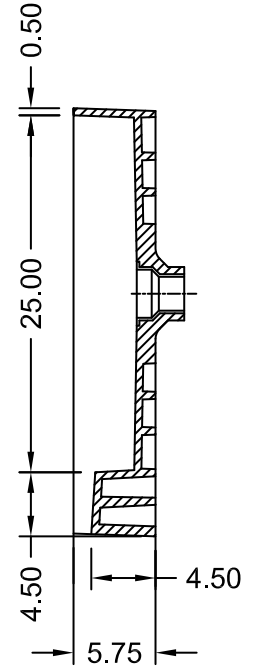
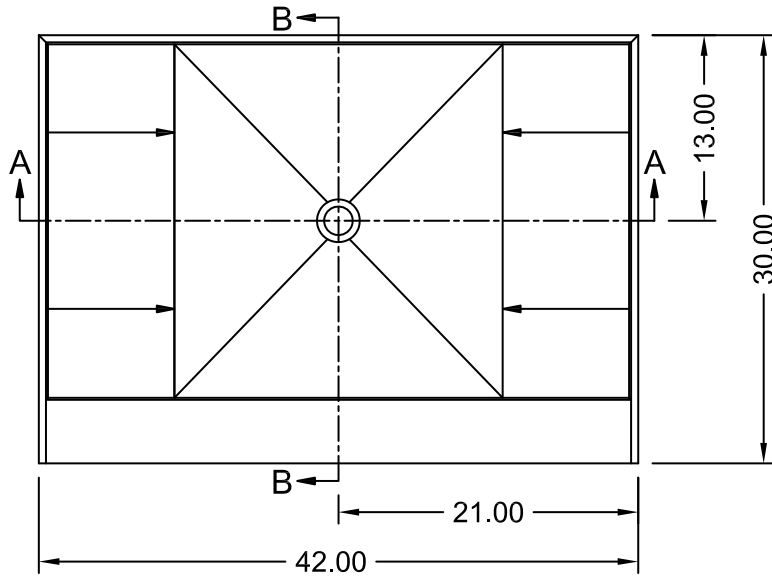


(Not to scale)



SECTION A-A

SECTION B-B