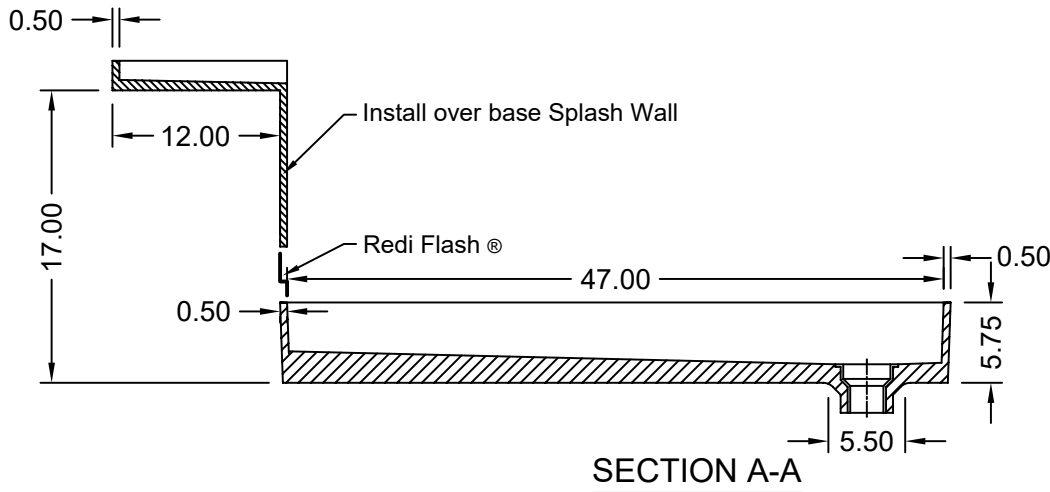
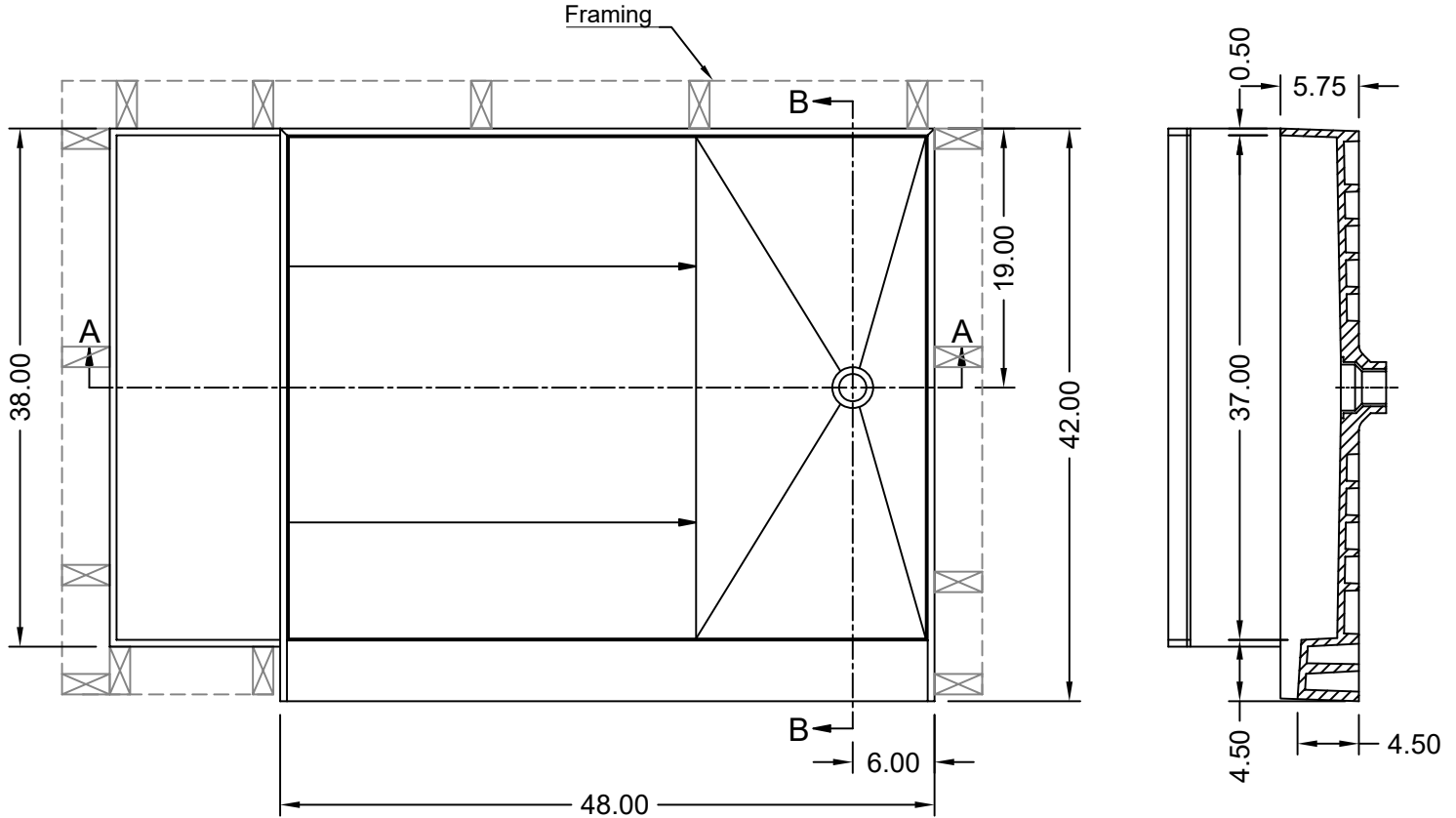


(Not to scale)



All dimensions are within tolerances of +/- 1/4" unless otherwise noted.