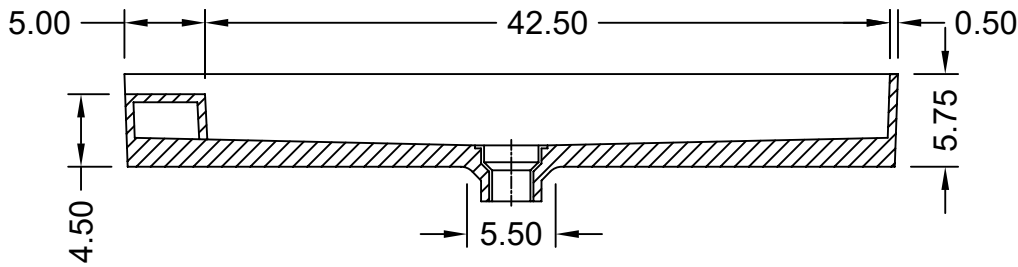
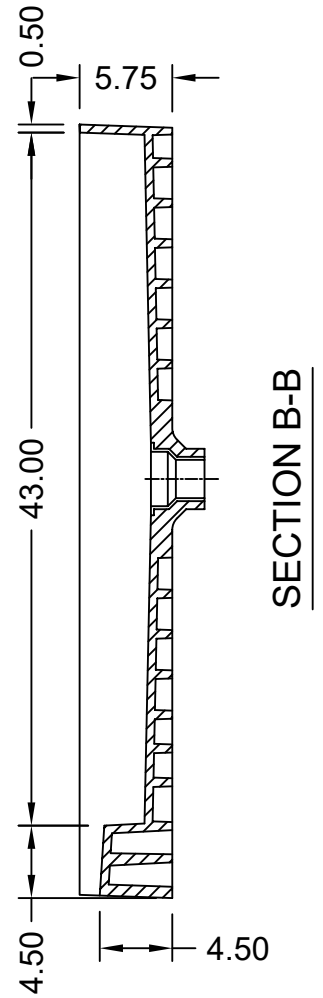
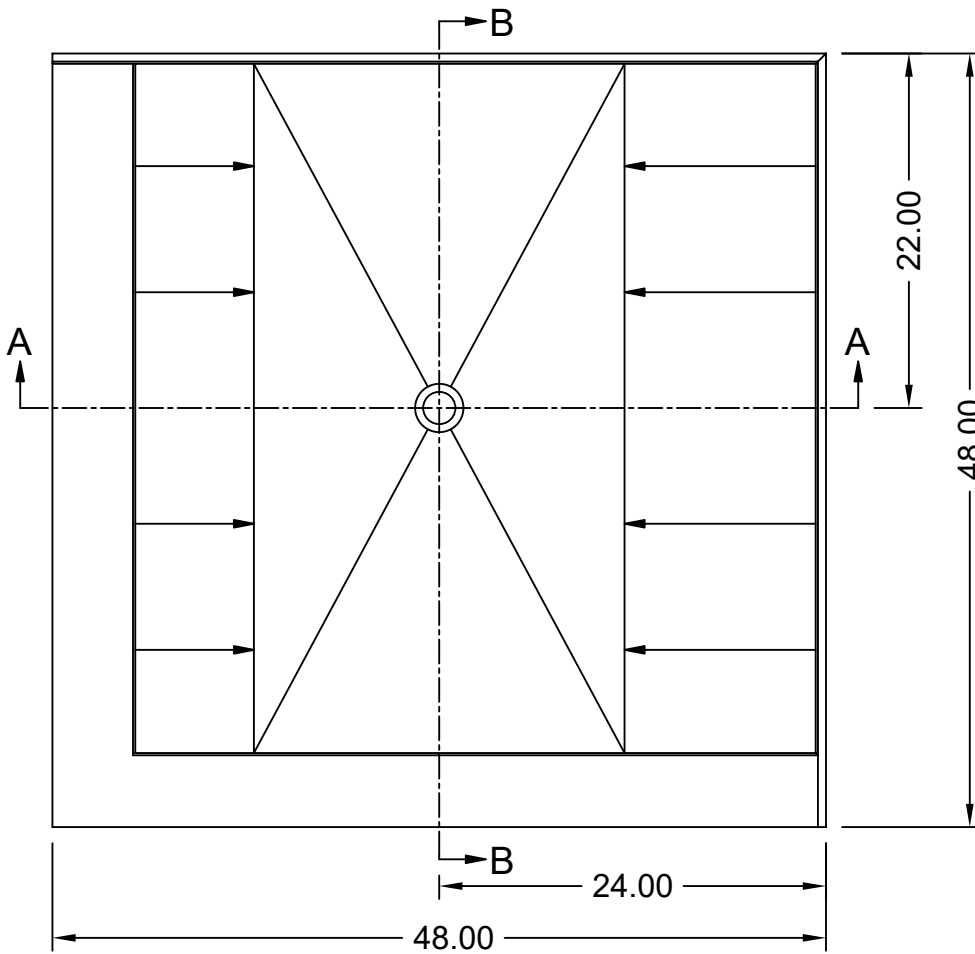


(Not to scale)



SECTION A-A

All dimensions are within
tolerances of +/- 1/4"
unless otherwise noted.