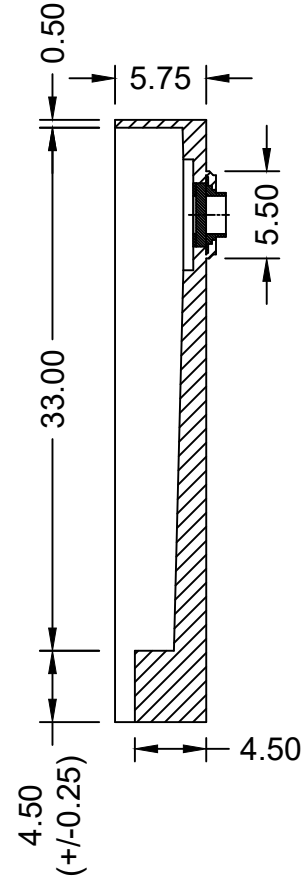
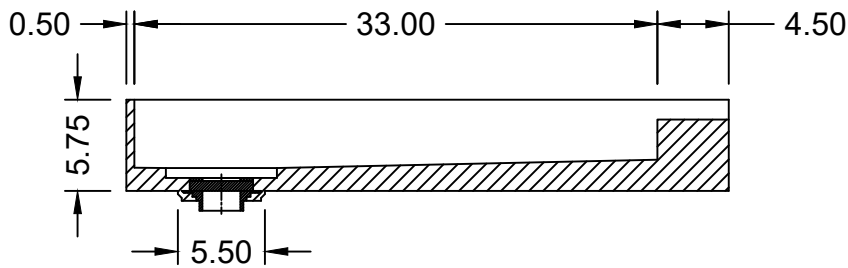


TOP VIEW



SECTION B-B



SECTION A-A

All dimensions are within tolerances of -0.25" to +0.0625" unless otherwise noted.



ASTM D 4551 SEC. 11.1
ASTM D 4551 ANNEX A1
ASTM D 4551 ANNEX A2
ASTM 4551 ANNEX A5
ANSI A118.1

ASTM D 4551 SEC. 11.3
ASTM D 4551 SEC. 11.4
ASTM D 4551 ANNEX A3
ANSI Z124.1.2

ASTM D 1037
ASTM D1623

Product is in compliance with the International Plumbing Code

Toll Free 800.232.6156 techsupport@tileredi.com
Tel: 954.323.0125
Fax: 954.344.8064 www.tileredi.com



INV
2021.04.13