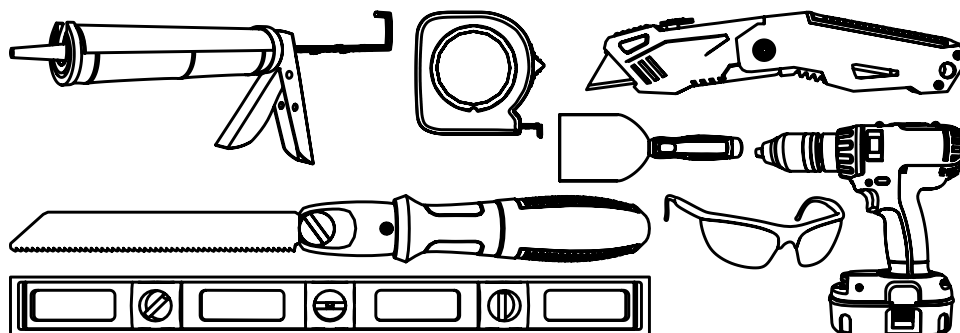




## REDI WALL™ - INSTALLATION INSTRUCTIONS



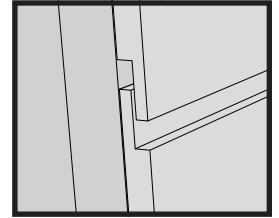
### TOOLS REQUIRED



1. Before installing your wall boards, please confirm that your shower pan has been properly installed and the mortar bed is cured and dry in accordance with the shower pan installation instructions. The mortar bed should be cured overnight for purposes of installing the wall boards.
2. All framing should comply with local building code requirements. Framing studs shall be spaced a maximum of 16" on-center.

### REDI WALL BOARD DESCRIPTION:

Tile Redi Wall boards are manufactured using a lap joint, and there will be a lap joint on one long edge. This lap joint is intended to provide additional strength and waterproofing protection. Lap joints should be connected wherever possible. Not all seams will have a full lap joint connection. Examples of connections that will not have a lap joint include (but not limited to), corner seams, connections along the short edge of the boards, and any connection that was made after scoring and snapping. All other connections should be made using a butt joint, leaving a 1/8" gap and Redi Sealant in the joint to provide adequate waterproofing. In the case when a lap joint edge is not connected to another board, we recommend cutting this 1/4" piece off so that your finished board is the full 1/2" depth. In those instances, the lap joint can be removed using a score and snap method.



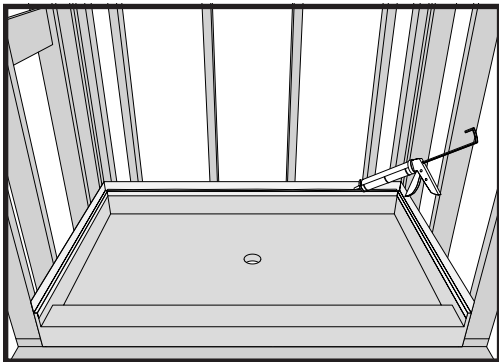
### STARTING TIPS:

Tip #1: Redi Wall can be cut easily by scoring the board with a utility knife and snapping.

- a. To score: measure out where you want to cut and then using a straight edge (like a drywall T-square) run a utility knife along that line.
- b. To snap: place the board on a flat surface with the scored side facing up. Align the scored line to the edge of the flat surface with the small portion hanging over the edge. While one hand holds the main part of the board against the flat surface, push down quickly and firmly on the section overhanging the edge of the flat surface, and the piece will snap off.

Tip #2: To make installing fasteners easier: pre-mark stud positions on the Redi Wall boards. This will help with fastening the boards to the framing.

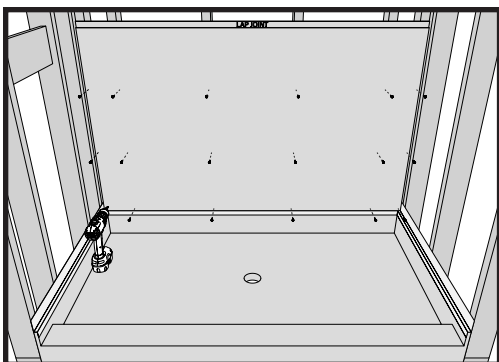
### INSTALLATION INSTRUCTIONS



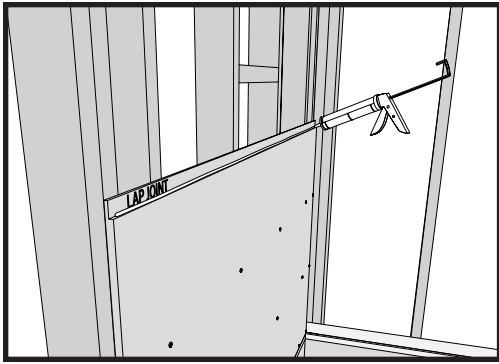
1. Measure the length of the longest splash wall. Measure the Redi Wall board, mark and cut to desired measurement if less than 60" in width.
  - If the shower pan is wider than 60", additional boards will be needed.

Before installing the first wall board, set Redi Flash® on the shower pan splash wall and cut it to fit.

- Apply a bead of Redi Sealant to the top of the Redi Flash



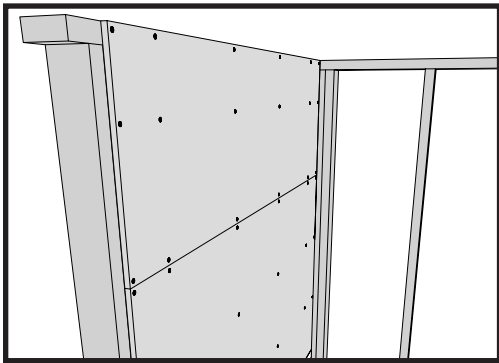
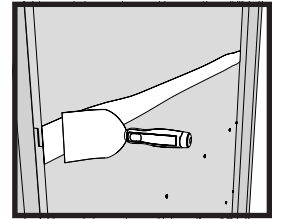
2. Place the longest wall into the Redi Sealant and against the studs. Fasten the Redi Wall to the studs using fasteners meant for wet areas such as stainless steel or galvanized.
  - a. Ensure that the lap joint is facing the top of the Redi Wall board.
  - b. The Redi Wall boards should have a fastener 1/2" from the edges.
  - c. Fasteners should be spaced approximately 12" from each other.
  - d. Fastener heads can be flush, or slightly countersunk, but should not sit above the surface of the Redi Wall board.



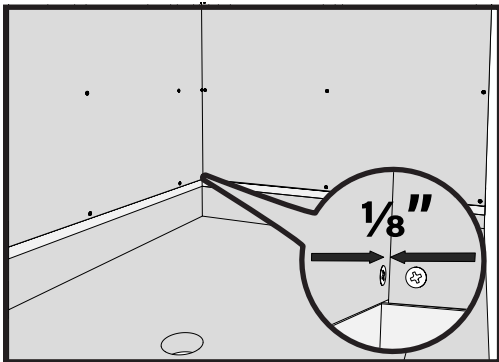
3. Before positioning the second wall board, apply a thick continuous bead of Redi Sealant along the top of the wall board in the lap joint.



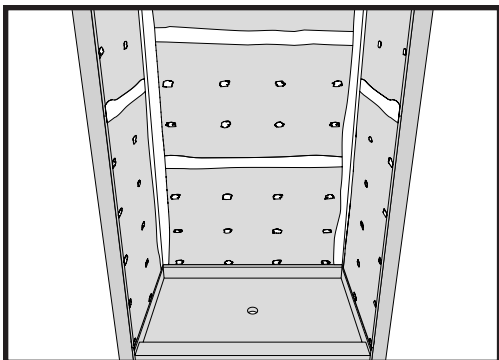
4. Set the next wall board against the studs and slide it down into the lap joint using moderate pressure to connect the Redi Wall boards together,  
a. Adhere the wall board to the studs using fasteners.  
b. Fasteners should be spaced approximately 12" from each other.  
c. Smear any excess Redi Sealant that seeped out from the joint with a putty knife until smooth.  
d. An additional bead of Redi Sealant should be applied above or below the joint to ensure coverage of at least 1" on the top and bottom of the seam between wall boards.



5. If needed to achieve desired height, add a third board on top using the same methodology from Step 4.  
a. Before positioning the third wall board, apply a thick continuous bead of Redi Sealant along the top of the wall board.  
b. The flat sides of your second and third boards will be installed adjacent to one another using a butt joint technique.

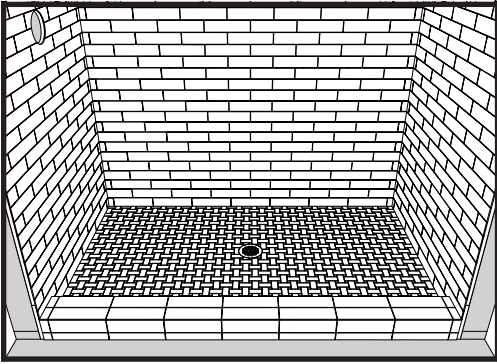


6. For other walls, repeat steps 1-5 (boards can be installed horizontally or vertically), leaving a  $\frac{1}{8}$ " gap in the corners between the side walls and the back wall. Corners should also be joined using a butt joint technique.  
a. For walls with pipe or mixer valve penetrations, measure the locations of the penetrations and cut holes using appropriate size drill bit or hole bit.  
b. Seal the pipe penetrations with either a pre-made, fabric penetration cloth, or by using a liberal amount of Redi Sealant between the hole and the pipe to ensure full and continuous coverage of any voids.



7. Once all wall sections are installed, completely seal all joints and fastener penetrations using Redi Sealant liberally. Smooth any excess using a putty knife, ensuring a coverage of at least 1" on the top and bottom of the seam between wall boards.

After installation, use a damp cloth to remove any dust or debris prior to applying thin set mortars for tile installation.



8. Set your tile using a white modified thin-set/tile mortar and a notched trowel as specified by the thin-set/tile mortar manufacturer based on your tile size. Tile Redi recommends the modified thin-set/tile mortar products found in table below.

Tile the rest of the shower.

### Tile Redi Approved Modified Thin-sets/Tile Mortars

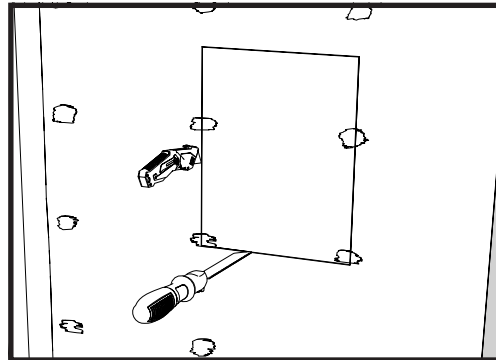
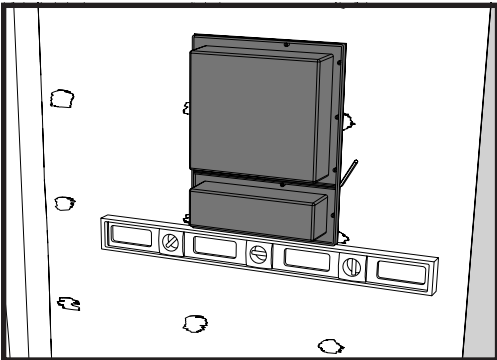
**MAPEI Large Tile & Stone Mortar Premium, Polymer-Enriched Large-and-Heavy-Tile and Thin-Set Mortar White**

**MAPEI Porcelain Tile Mortar Polymer-Enriched Thin-set Mortar White**

**TEC Ultimate 6 Plus Polymer Modified Mortar White**

#### INSTALLING A NICHE:

1. Measure the location of the Redi Niche® by placing it face first against the desired location of the Redi Wall and trace the outline of the niche onto the Redi Wall.
2. Cut the opening using an oscillating tool or similar device used to cut wall boards.
3. Follow Redi Niche installation instructions.



⚠ CALIFORNIA PROP 65 WARNING: This product contains one or more chemicals, including Chromium, known to the State of California to cause cancer and birth defects or other reproductive harm. For more information go to [www.P65Warnings.ca.gov](http://www.P65Warnings.ca.gov)

**436 East 36th Street, Charlotte, NC 28205**  
**800.232.6156 | [sales@tileredi.com](mailto:sales@tileredi.com)**

**[www.tileredi.com](http://www.tileredi.com)**

Tile Redi® trademarks and logos are owned by and the Intellectual Property of Tile Redi, LLC.  
 ©2024 Tile Redi, LLC. All Rights Reserved.

PATENT: [www.TileRedi.com/PatentMarkings](http://www.TileRedi.com/PatentMarkings)