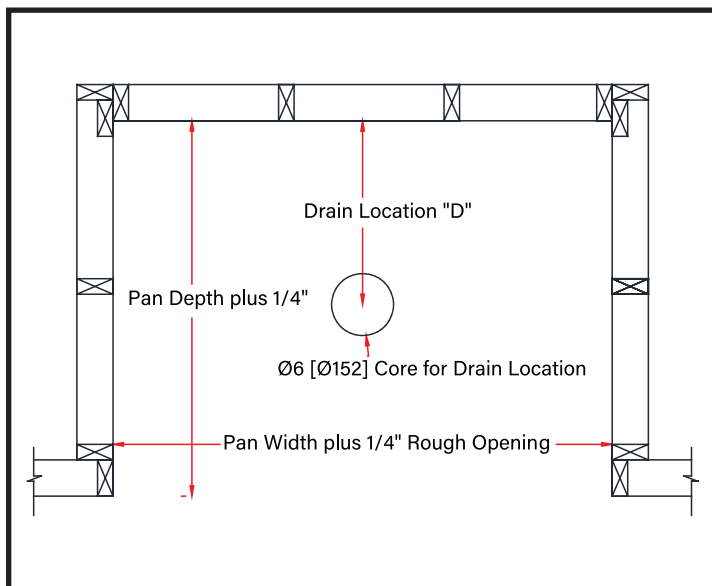
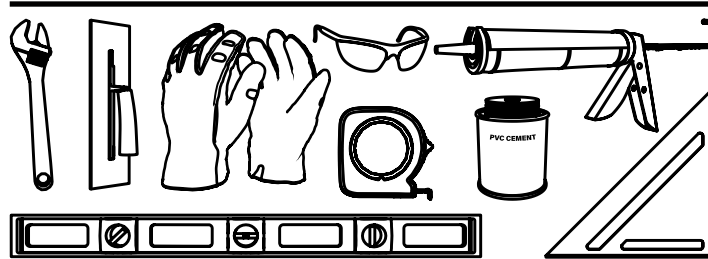


LuxShower™ Pan

SOLID SURFACE SHOWER PAN - INSTALLATION INSTRUCTIONS

TOOLS REQUIRED

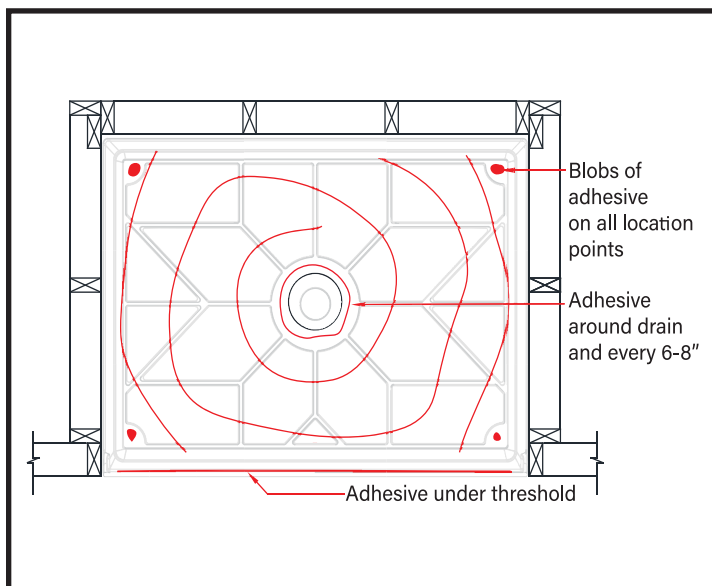


1. Measure the size of the alcove to ensure that the pan and panels fit properly. Refer to the specification sheet provided for the correct rough-in measurement.

2. Trial fit the pan in the alcove and make sure that the drain location lines up properly with the shower pan. In a three wall application, the pan should slide in easily with approximately 1/16" - 1/8" spacing between the studs and the pan.

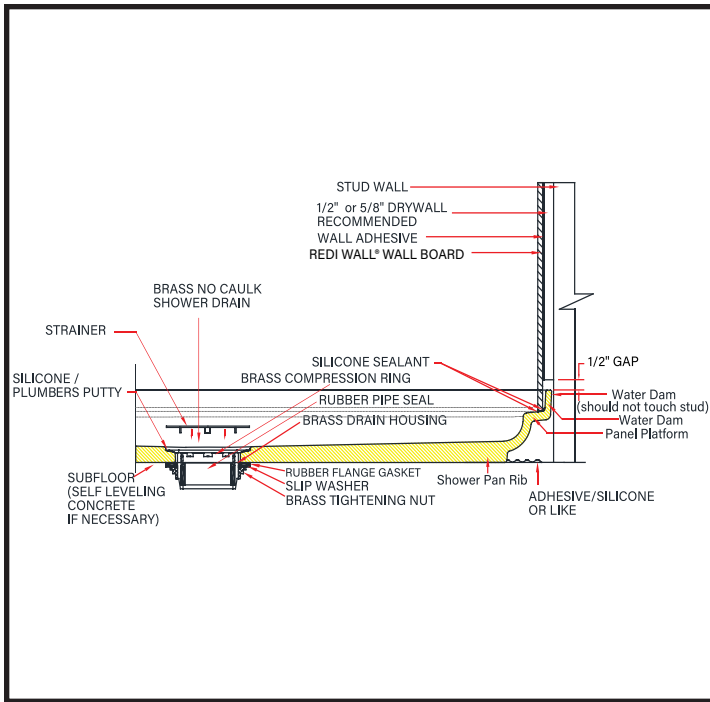
Placing a level on the pan, check that the pan sits level on the floor. If needed, use shims to level the pan in the alcove. Note the shim locations before removing the pan. Lean the pan back or remove from the alcove.

3. Install the drain fitting into the shower pan. Follow the installation instructions that came with the drain.



4. Noting where the shims were, apply the MS Polymer Adhesive or silicone in large dabs to the adhesive location points on the bottom of the pan. Also apply a large bead around the drain area on the floor as well as a fat bead every 6-8" for rib support. Polyurethane adhesives bond well to the pan as well as to the substrates while allowing for expansion and contraction differences. Silicone is an acceptable adhesive alternative. Thinset does not adhere to solid surface nor allow for expansion and contraction and is not a desired adhesive substitute for solid surface shower pans.

5. After applying the adhesive, replace the shims (if necessary) in the proper location and set the pan into place.



6. Make sure the pan is resting level on the adhesive and shims and centered in opening.
7. Clean the area at the threshold of any excess adhesive.
8. Allow the adhesive to cure according to the adhesive instructions prior to proceeding with installation in the pan area. Be sure to protect the pan floor after installation, using cardboard sheeting or a like material, until the complete project is finished.
9. Before installing Redi Wall boards or other waterproof wall boards, apply a bead of Redi Sealant or 100% silicone along panel platform of the LuxShower pan. This ensures a proper seal between the pan and the backer board. Reference the illustration for guidance.
10. Reference the Redi Wall board installation instructions for more information or follow the wall board manufacturer's instructions for proper installation.

Repairing Scratches: LuxShower solid surface shower pans are supplied with a matte finish (unless specified otherwise) which is equivalent to sanding with 320 grit sandpaper or buffing with a wet #7448 Scotch-Brite™ pad. For removing superficial scratches use a wet Scotch-Brite scouring pad, available in most supermarkets, until the scratches are removed. Clean thoroughly with soap and water. Note: Deep scratches can be removed by first carefully sanding lightly with 120 grit sandpaper followed by 220-320 grit sandpaper. Then use a wet #7448 Scotch-Brite pad to restore the finish (available from industrial supply houses). For any damage, contact your fabricator/ installer to repair.

Scotch-Brite is a registered trademark of 3M Company.

⚠ CALIFORNIA PROP 65 WARNING: This product contains one or more chemicals, including Chromium, known to the State of California to cause cancer and birth defects or other reproductive harm. For more information go to www.P65Warnings.ca.gov

436 East 36th Street, Charlotte, NC 28205 | 800.232.6156 | www.tileredi.com | sales@tileredi.com

Tile Redi® trademarks and logos are owned by and the Intellectual Property of Tile Redi, LLC.

©2025 Tile Redi, LLC. All Rights Reserved. PATENT: www.TileRedi.com/PatentMarkings