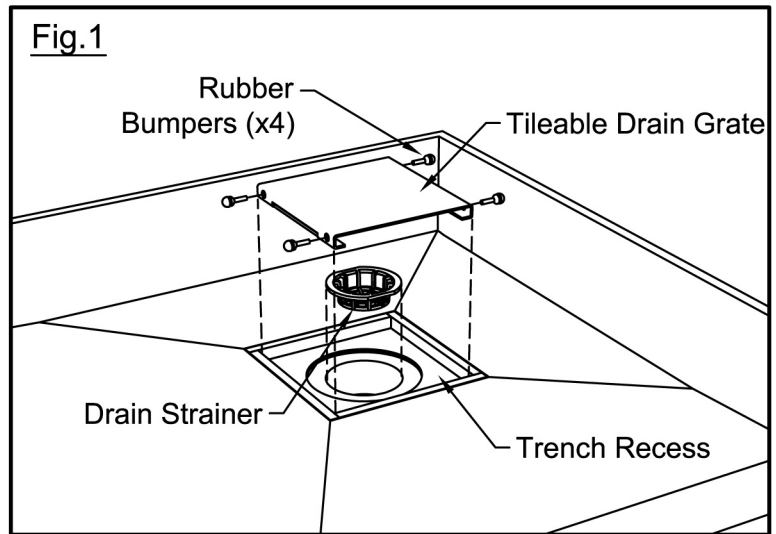


Wonder Drain® Tileable Grate Assembly

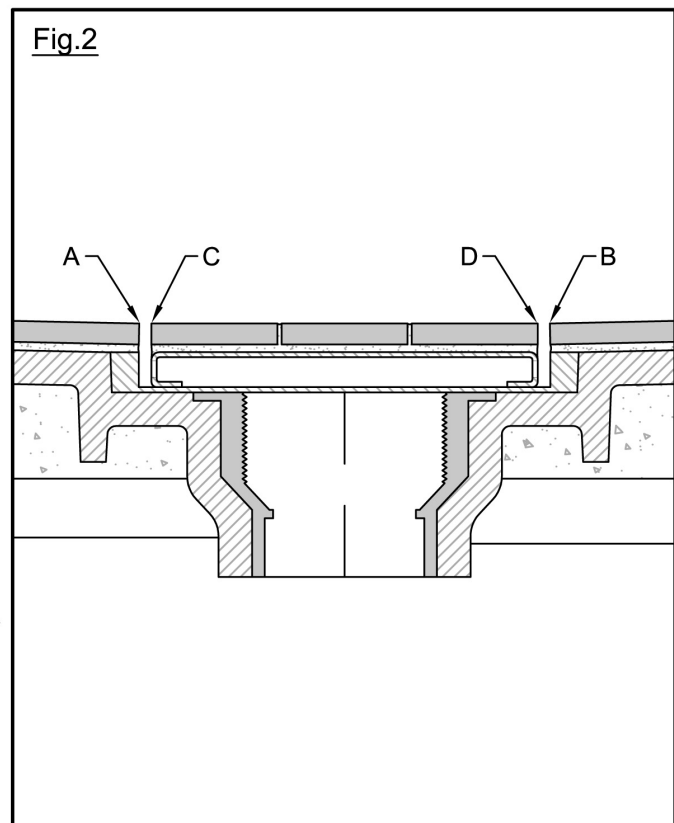
I. COMPONENTS: (See Fig. 1)

1. Tileable Drain Grate (x1)
2. Rubber Bumpers (x4)
3. Drain Strainer (x1)
4. Drain Recess



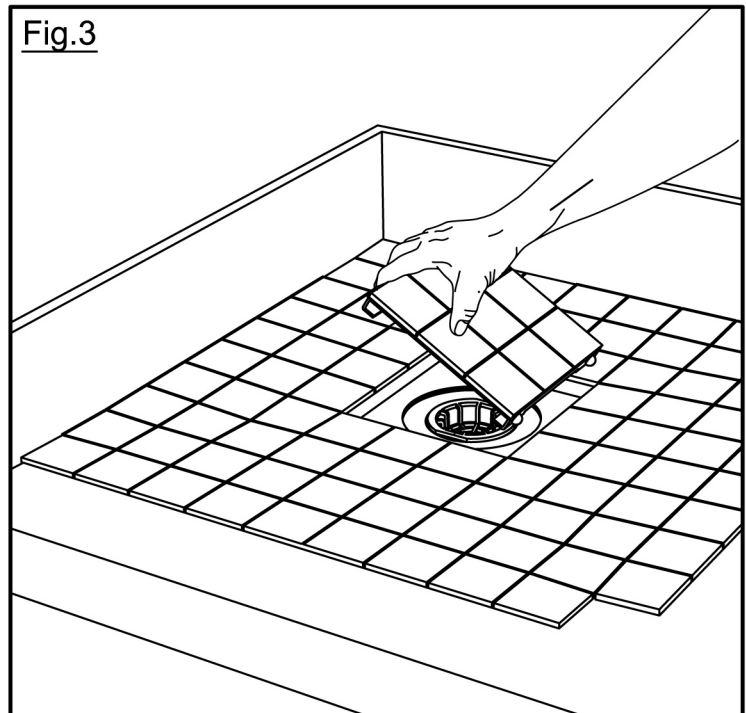
II. HOW TO TILE THE TILEABLE GRATE AND THE SHOWER PAN FLOOR EDGES AROUND THE DRAIN RECESS: (See Fig. 2)

1. Insert the Tileable Drain Grate into the Drain Recess.
2. Dry fit the tiles to the shower pan floor and the Tileable Drain Grate.
3. Note Tiling Tip: Before setting tile on the shower pan floor and the tileable grate you must comply with the following: tile up to the edges of the recessed trench (A and B) and the edges of the grate (C and D) so that neither the shower pan floor nor the Tileable Drain Grate is visible, while at the same time insuring (i) none of the Tileable Drain Grate tiles extend beyond the edges of the Wonder Drain® grate, (ii) none of the shower pan floor tiles extend beyond the shower pan floor into the space above the recessed drain, (iii) proper drainage is achieved by having none of the tiles encroach into the drainage space between the tiled shower pan floor and the Tileable Drain Grate, and (iv) neither the floor tile or the Wonder Drain® grate tile will prevent the removal of the tiled grate from the Drain Recess.
4. Now, remove the Tileable Drain Grate from the Drain Recess and tile the shower pan floor. Then insert the Tileable Drain Grate into the Drain Recess and tile it using PL Premium adhesive, lining up any grout lines on the tiled Wonder Drain® grate with the grout lines on the surrounding shower pan floor tile.



III. HOW TO INSERT THE TILED DRAIN GRATE INTO THE TILED SHOWER PAN FLOOR: (See Figs. 1 & 3)

1. Insert the Rubber Bumpers into the Tileable Drain Grate side holes by inserting them into the holes until they are locked in place (Fig. 1).
2. Slide the tiled drain grate into the shower pan Drain Recess, first by compressing the side of the grate with the Rubber Bumpers against the wall of the shower pan Drain Recess (Fig. 3).
3. Finally, slide the other side of the tiled drain grate into the shower pan Drain Recess.



IV. HOW TO REMOVE THE TILED DRAIN GRATE FROM THE TRENCH RECESS: (See Fig. 4)

1. Insert your fingers or an Allen wrench into the space between the tiled drain grate and the Drain Recess wall (i.e., either between E and F or between G and H), carefully lift out one side of the grate and grab it with both hands and then carefully remove the other side by lifting the entire grate with your hands.

