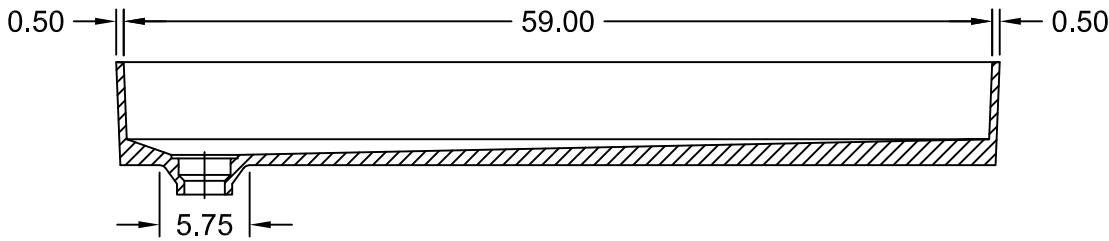
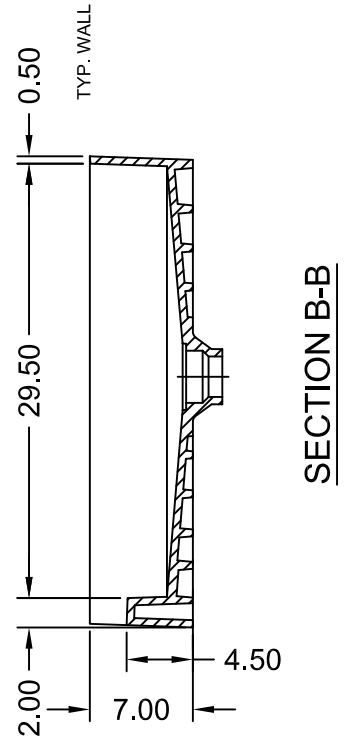
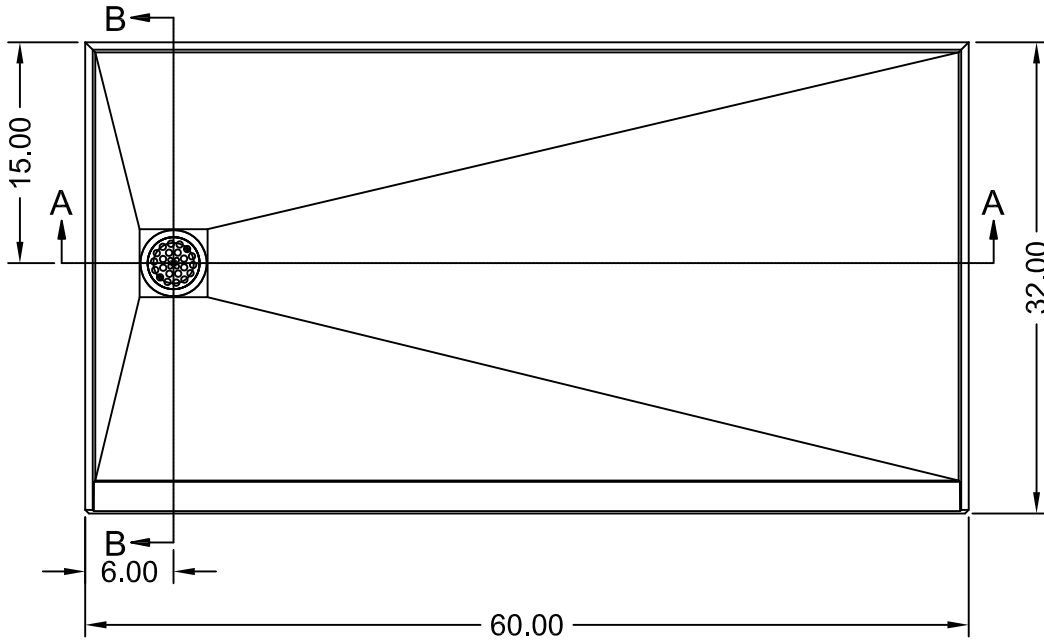



(Not to scale)



SECTION A-A

	ANSI Z124.1-95	ASTM F462-79	Toll Free 800.232.6156 techsupport@tileredi.com Tel: 954.323.0125 Fax: 954.344.8064 www.tileredi.com
	ANSI Z124.2-95	B45.0-02	
	ICC/ANSI A117.1.98	B45.5-02	
	© 2012 TILE REDI USA, LLC		