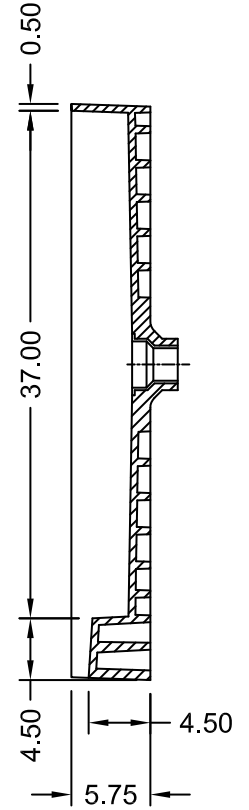
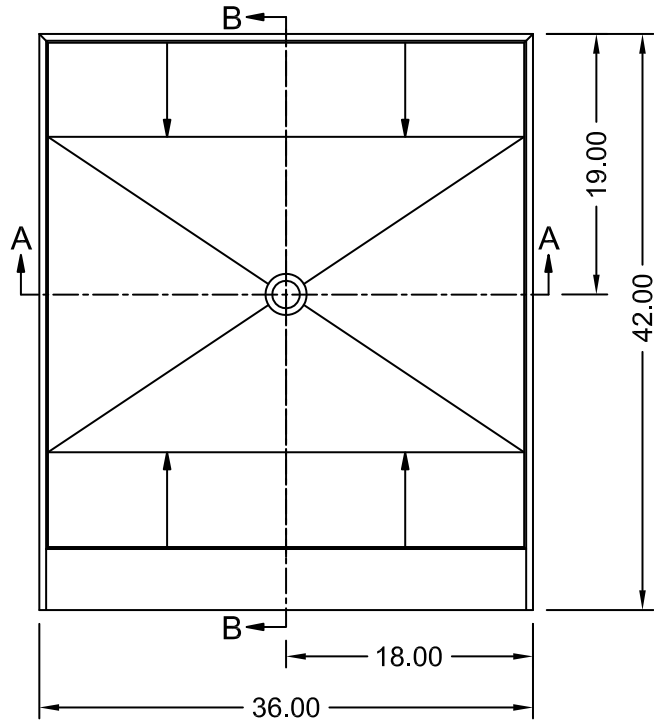
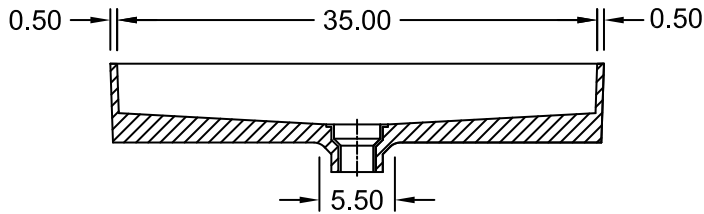


(Not to scale)



SECTION B-B



SECTION A-A



ANSI Z124.1-95 ASTM F462-79
 ANSI Z124.2-95 B45.0-02
 ICC/ANSI A117.1-98 B45.5-02

Toll Free 800.232.6156 techsupport@tileredi.com
 Tel: 954.323.0125
 Fax: 954.344.8064 www.tileredi.com



2013.07.01