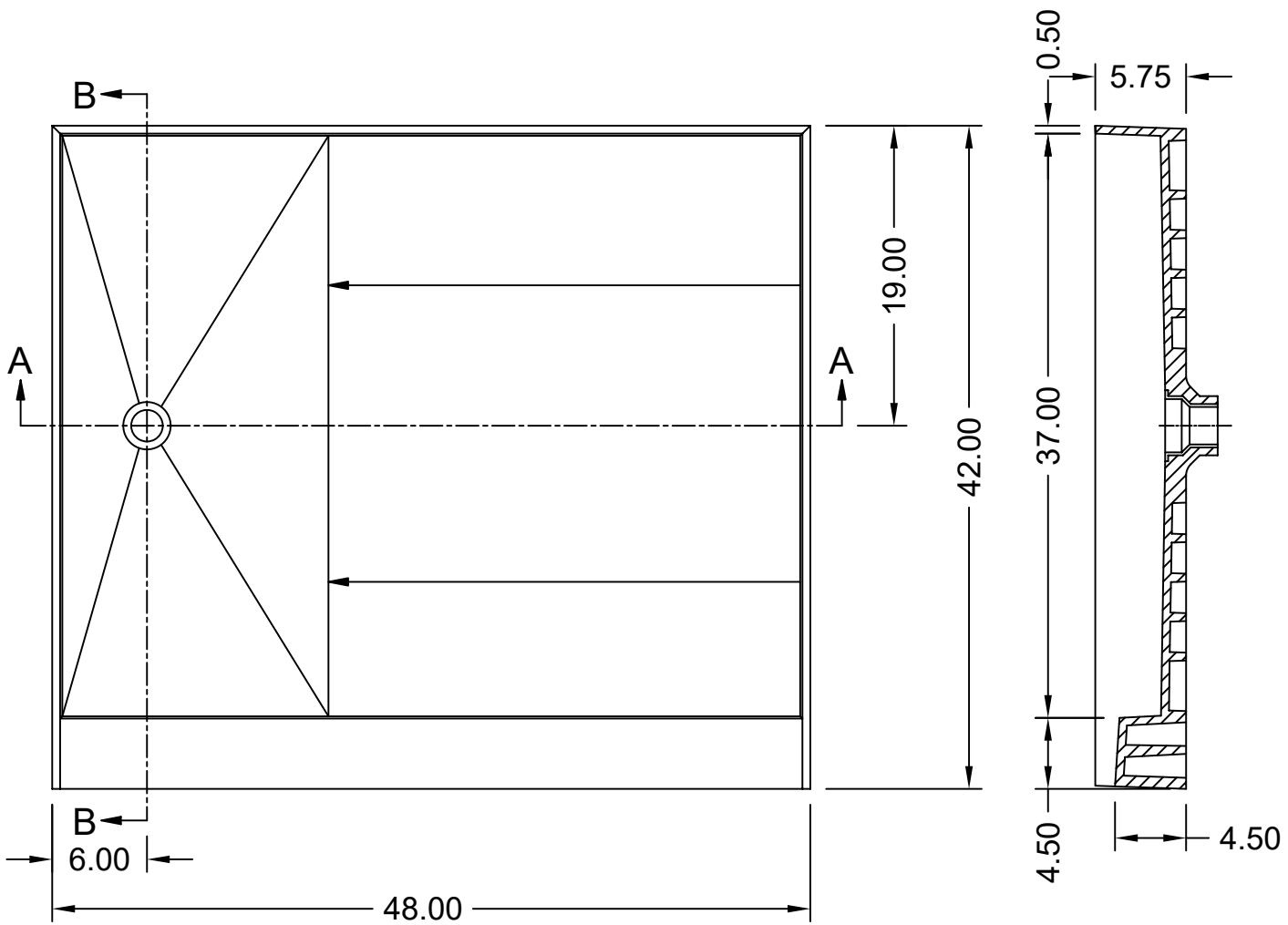


(Not to scale)



SECTION A-A

SECTION B-B

All dimensions are within tolerances of +/- 1/4" unless otherwise noted.