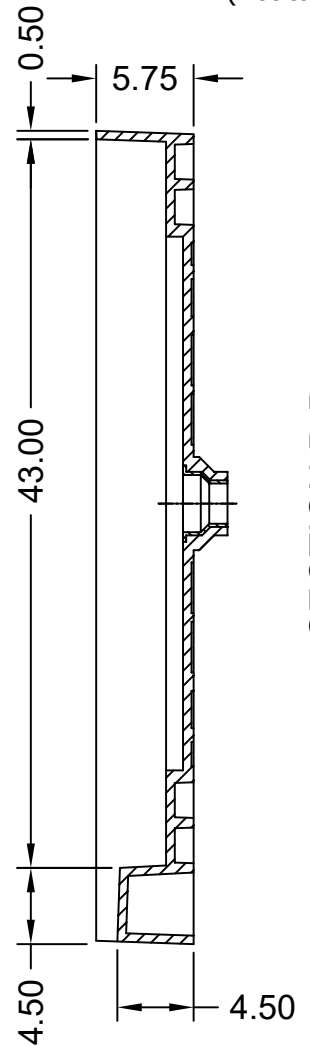
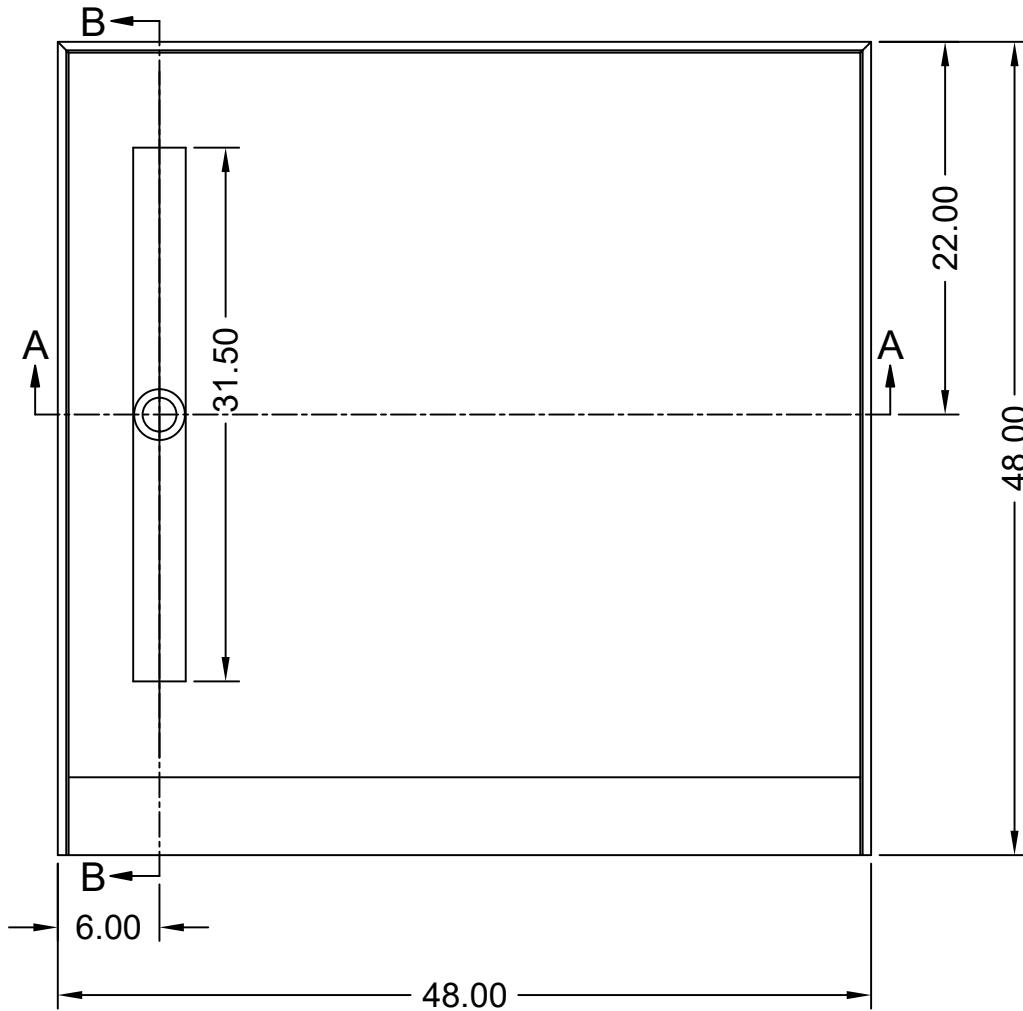
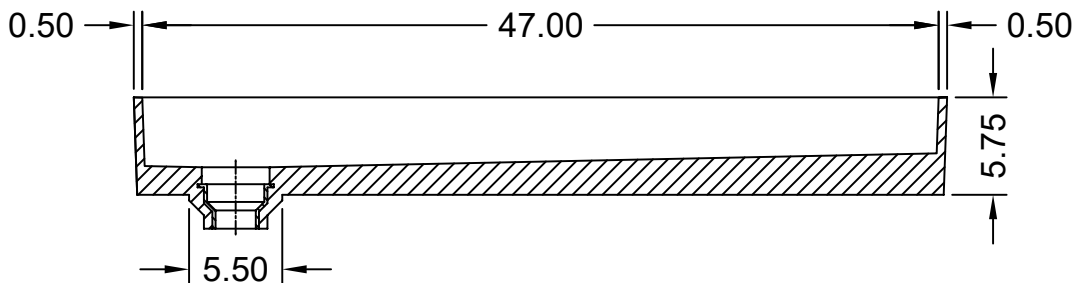


(Not to scale)



SECTION B-B



SECTION A-A

All dimensions are within  
tolerances of +/- 1/4"  
unless otherwise noted.