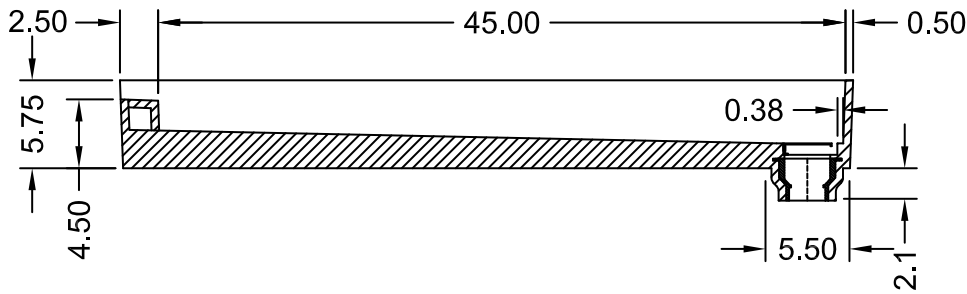
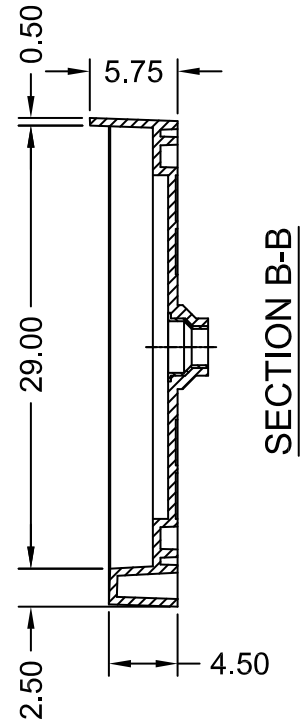
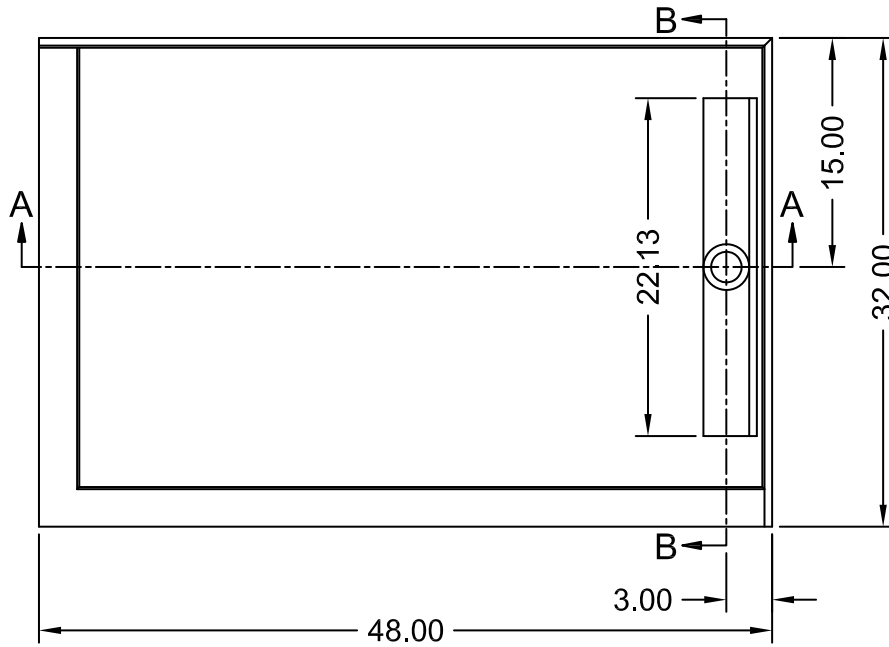


(Not to scale)



**SECTION A-A**



ANSI Z124.1-95 ASTM F462-79  
ANSI Z124.2-95 B45.0-02  
ICC/ANSI A117.1.98 B45.5-02

Toll Free: 800.232.6156  
Tel: 954.323.0125  
Fax: 954.344.8064

techsupport@tileredi.com  
www.tileredi.com



2023.06.08